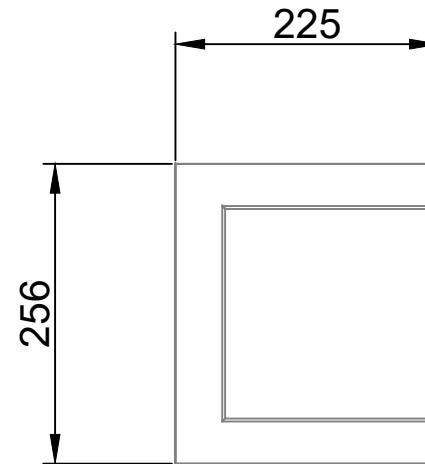
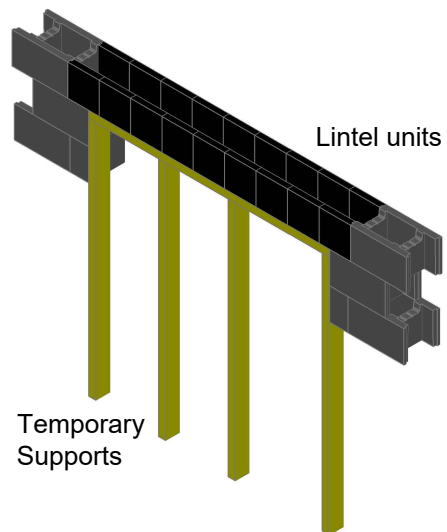



STEPOC 256 - V3 UNIT



STEPOC 256 - V3 LINTEL UNIT



Project 256mm Stepoc - Standard Details			
Title LINTEL BLOCK DETAIL			
Drawing Number ST-256-LIN		Rev	
Units 1 & 2, Cosgrove Business Park Soot Hill, Anderton Northwich Cheshire CW9 6AA Tel: 0333 234 3434 www.andertonconcrete.co.uk	Units 1 & 2, Cosgrove Business Park Soot Hill, Anderton Northwich Cheshire CW9 6AA Tel: 0333 234 3434 www.andertonconcrete.co.uk	Anderton Concrete Ltd. 2019 ©	
Drawn By TJF	Date 21.05.2019	Scale NTS	
Approved By	Date	Drawing is supplied by Anderton Concrete Ltd and must not be reproduced or shown to others without prior written consent.	