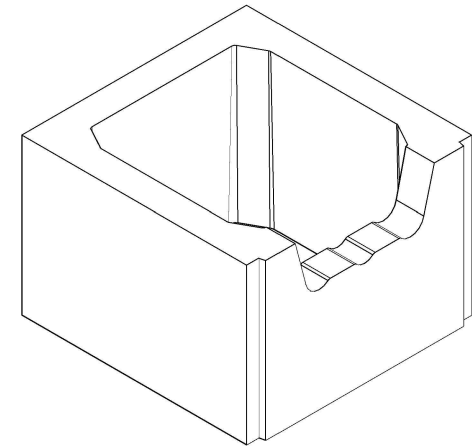
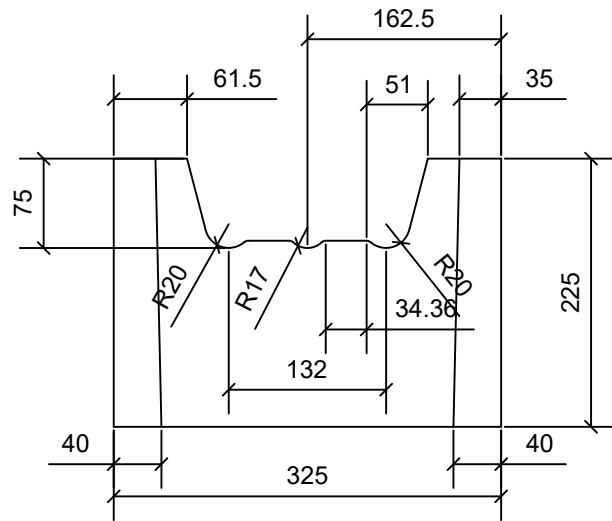



PLAIN END BLOCK - Z3



PLAIN END BLOCK - Z3 (ISO VIEW)



SECTION DETAIL - Z3

Project 325mm Stepoc - Standard Details		 Anderton
Title CORNER/END UNIT (Z3)		
Drawing Number ST - 325 - Z3		Rev A
Drawn By TJF	Date 22.05.2019	Scale NTS
Approved By		Date
Units 1 & 2, Cosgrove Business Park Soot Hill, Anderton Northwich Cheshire CW9 6AA Tel: 0333 234 3434 www.andertonconcrete.co.uk		Anderton Concrete Ltd. 2019 © Drawing is supplied by Anderton Concrete Ltd and must not be reproduced or shown to others without prior written consent.