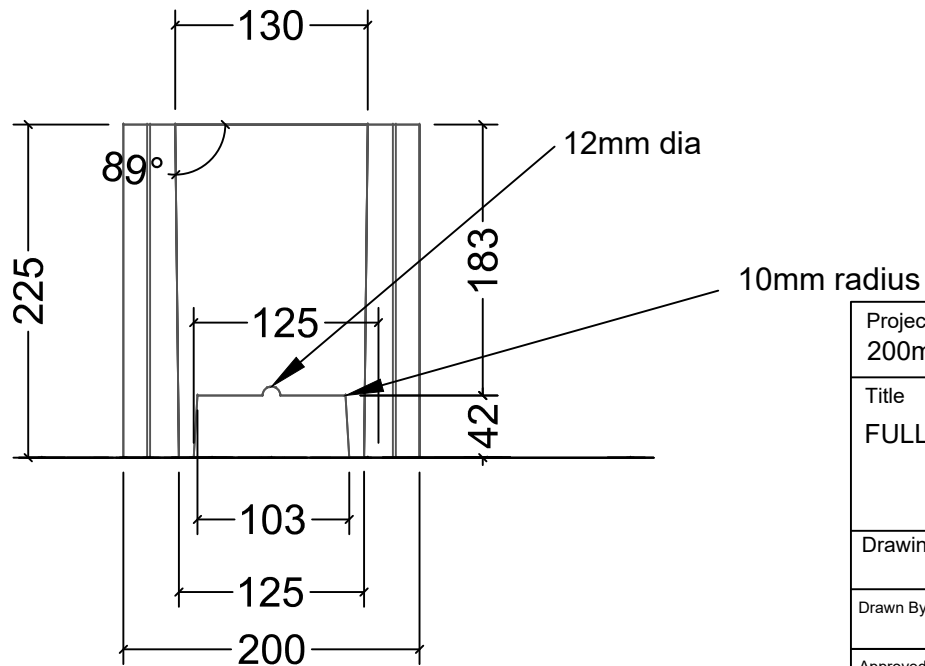
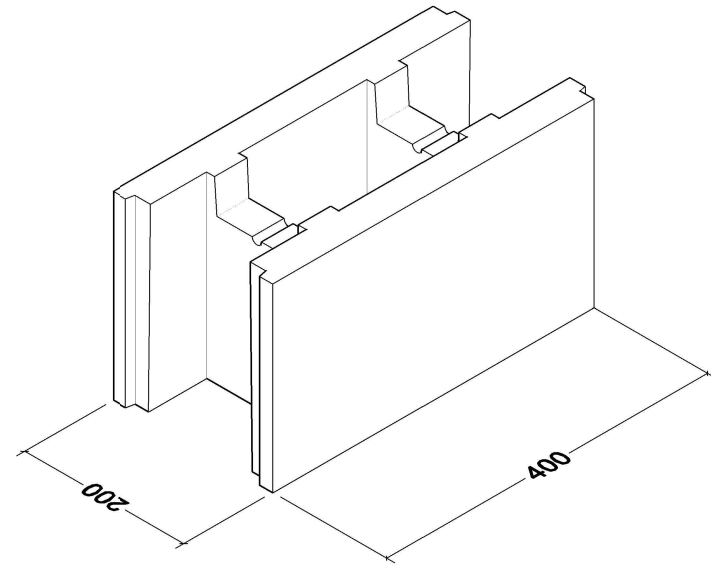
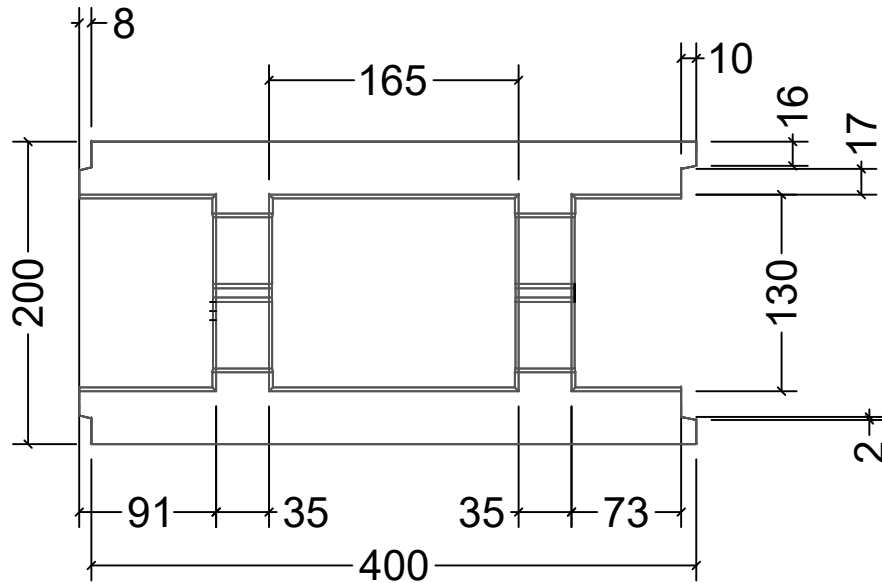



15mm radius to internal corners



Project 200mm Stepoc - Standard Details			
Title FULL LENGTH STANDARD (L2)			
Drawing Number ST-200-L2		Rev	Units 1 & 2, Cosgrove Business Park Soot Hill, Anderton Northwich Cheshire CW9 6AA Tel: 0333 234 3434 www.andertonconcrete.co.uk Anderton Concrete Ltd. 2019 ©
Drawn By TJF	Date 24.01.2019	Scale 1:10	
Approved By	Date	Drawing is supplied by Anderton Concrete Ltd and must not be reproduced or shown to others without prior written consent.	