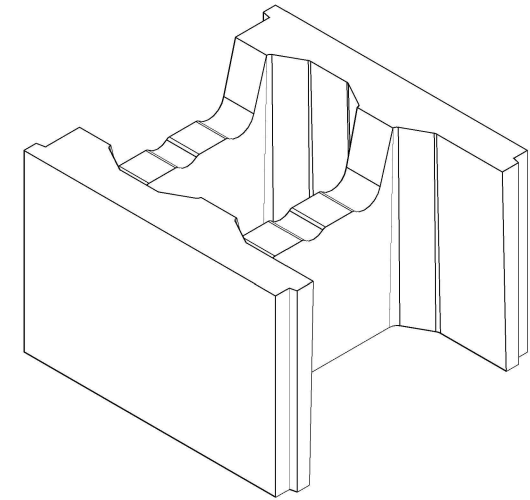
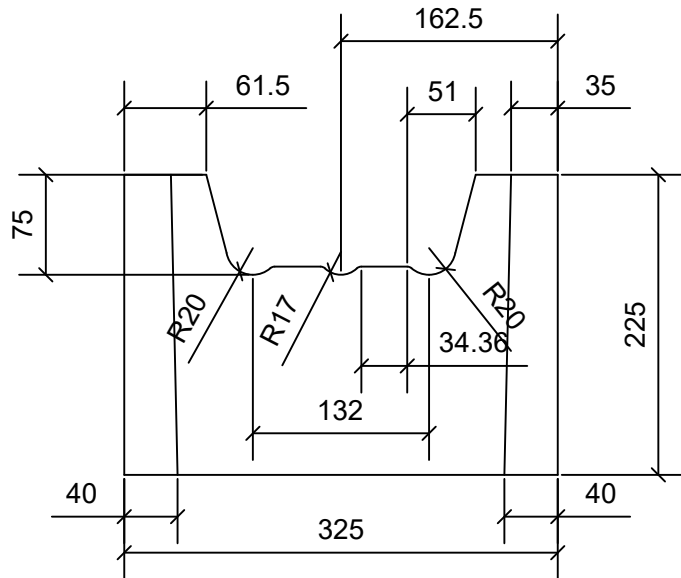



STANDARD BLOCK - Z2



STANDARD BLOCK - Z2 (ISO VIEW)



STANDARD BLOCK - Z2 (SECTION)

Project 325mm Stepoc - Standard Details		 Anderton	
Title FULL LENGTH STANDARD (Z2)			
Drawing Number ST - 325 - Z2		Rev B	
Units 1 & 2, Cosgrove Business Park Soot Hill, Anderton Northwich Cheshire CW9 6AA Tel: 0333 234 3434 www.andertonconcrete.co.uk	Drawn By TJF	Date 22.05.2019	Scale NTS
Approved By		Date	Drawing is supplied by Anderton Concrete Ltd and must not be reproduced or shown to others without prior written consent.
Anderton Concrete Ltd. 2019 ©			